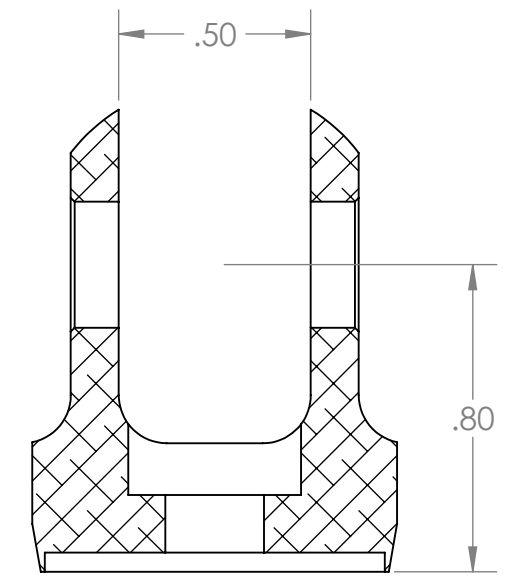
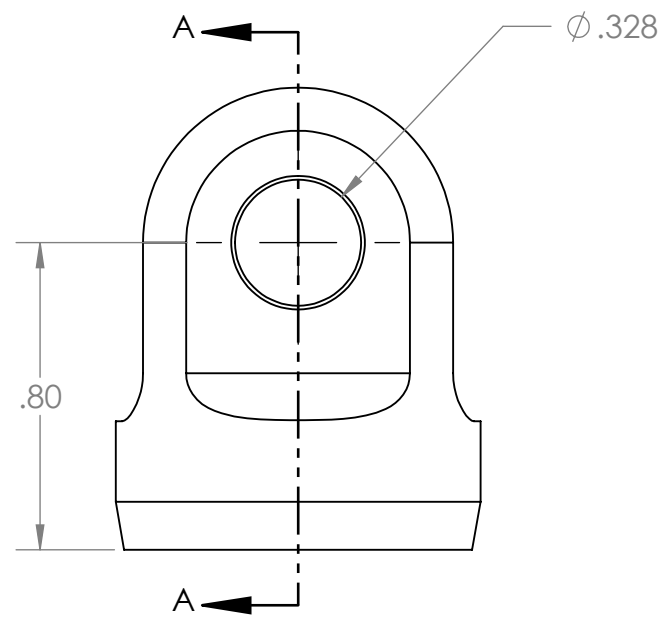
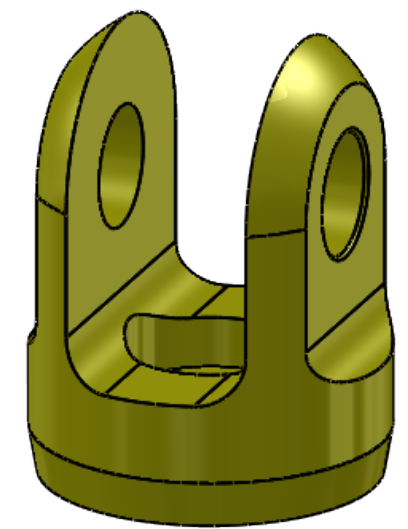
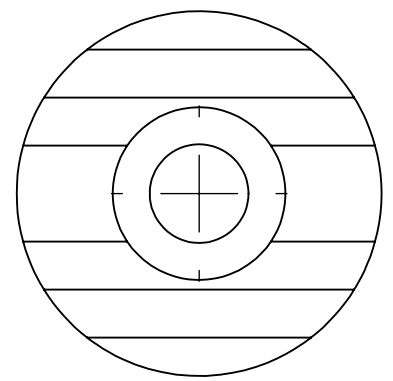


4

3

2

1



SECTION A-A



PROPRIETARY AND CONFIDENTIAL
 THE INFORMATION CONTAINED IN THIS DRAWING IS THE SOLE PROPERTY OF <INSERT COMPANY NAME HERE>. ANY REPRODUCTION IN PART OR AS A WHOLE WITHOUT THE WRITTEN PERMISSION OF <INSERT COMPANY NAME HERE> IS PROHIBITED.

TOLERANCES UNLESS OTHERWISE SPECIFIED		NAME	DATE
LINEAR	ANGULAR	DRAWN	
X ± 0.250	X ± 1.0°	CHECKED	
X.X ± 0.100	X.X ± 0.1°	ENG APPR.	
X.XX ± 0.010		MFG APPR.	
X.XXX ± 0.005		Q.A.	
IF IN DOUBT, ASK		COMMENTS:	
CAD SYSTEM: SOLIDWORKS			
UNITS: INCHES			
MATERIAL 6061-T6 (SS)			
DO NOT SCALE DRAWING			

TITLE:		
ETG-0234.C.00		
- Clevis		
SIZE	DWG. NO.	REV
B		
SCALE: 2:1 WEIGHT: 0.0285 SHEET 1 OF 1		

4

3

2

1

B

B

A

A